

## NOTES-06/19/16

### To client-

- panels on wall cabinets changed to door and frame from Wainscot
- Fridge surround simplified
- Hood adjusted to fit blower and meet code
- Pipe Chase added to allow vent out-contractor preferred this to venting in mud room
- Top rails of wall cabinets extended to accommodate change to inset cabinet and allow molding application

### Installer-

- All Cabinets to be set plumb and level
- Shims to fill any gap at screws and connectors- do not deform cabinet
- Do not over torque screws
- INSET CABINETS- check door clearance PRIOR to installation. IF any issues report immediately, otherwise door clearance issues will be considered an installation issue.
- Mud room cabinets may need to be scribed if floor runs out more than scribe allowed for brackets

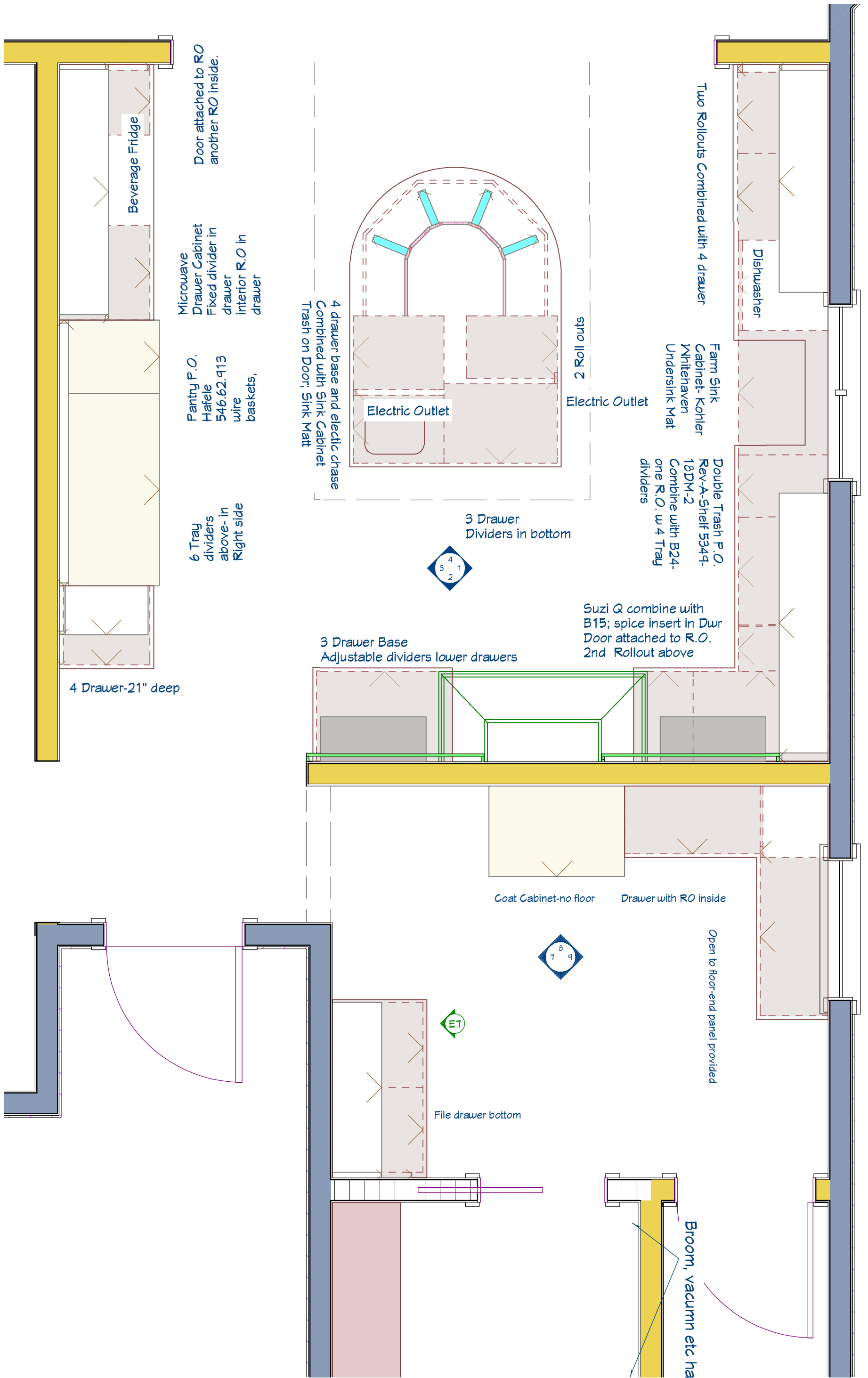
Layout Page Table		
Number	Title	Comments
1	Page Index & Overall Notes	
2	Cabinet Schedules	
3	Keyed Cabinet Plan	Cabinet placement & Fixture Centers
4	Cabinet Map	Note Counter Overhangs at Sides, overall run listed
5	Elevations-E1; E2	Window and Range Wall
6	Elevations-E3; E4	Fridge Wall-Island end
7	Elevations E5; E6	Island Sides
8	Perspectives Kitchen	
9	Cabinet Details	
10	Hood & Apron Details	
11	Molding	Molding for both rooms, RPS rail alignments, Drilling Diagram
12	Mud Room Plan & Scheudle	Valance drawing
13	Mud Room Elev's E7; E8; E9	Mud Room Elevations
14	Mud Room Details	
15	Perspectives Mud Room	Includes close up of bracket and molding

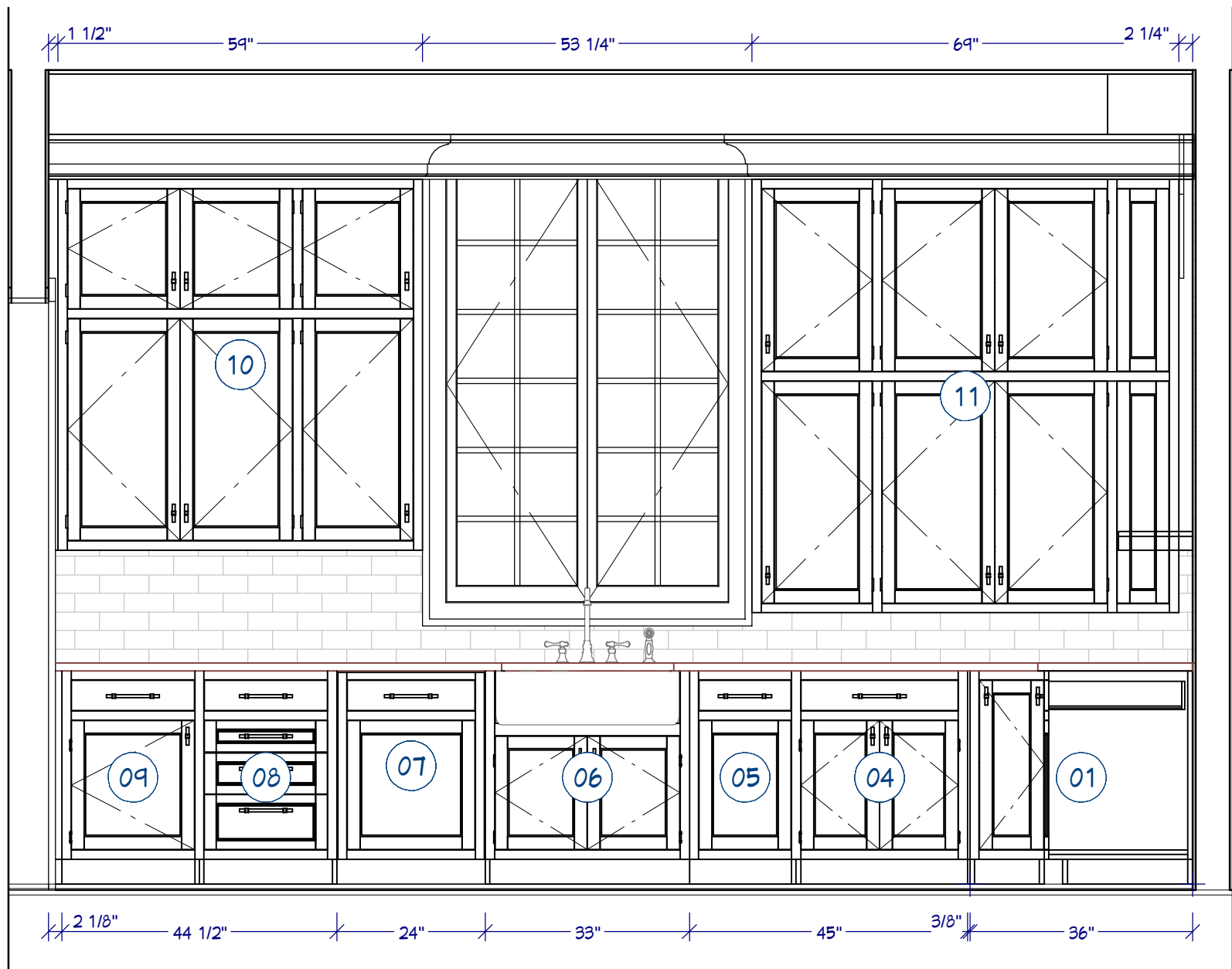
KITCHEN CABINET SCHEDULE - ZEPNICK- MTR CRP-10 ALABASTER - REV G COVE									
NUMBER	QTY	LABEL	SIDES	HINGED	MODS	WIDTH	HEIGHT	DEPTH	
01	1	L5Q36				36 "	34 1/2 "	36 "	
02	1	B15 3/4	R		FINISHED R; NDPO W/DOOR ATTACHED; NSFO ADJUSTABLE; S-DRWI	15 3/4 "	34 1/2 "	24 "	
03	1	3DB36	LR		FINISHED L; FRAMEEND R; OMIT INTERMEDIATE RAIL; 4-14" H ADJUSTABLE DIVIDERS EACH LOWER DWR (FULL HT DRAWER SIDES)	36 "	34 1/2 "	24 "	
04	1	B28 1/2		LR	6 REV-A-SHELF 597-12-CR (4 LEFT, 2 RIGHT); WSFO ADJUSTABLE XSB 3R ,COMBINE W/ #5-DRAWING	28 1/2 "	34 1/2 "	24 "	
05	1	B18			REV-A-SHELF 5349-18DM-2; COMBINE W/ #4	18 "	34 1/2 "	24 "	
06	1	F5BFD 33	L	LR	FLSHEND B-L; HAFELE SINK MAT; 3/4" SUB TOP FOR APRON SINK , SEE DRAWING FOR DETAILS	33 "	34 1/2 "	24 "	
07	1	FRAME W/DOOR & DRWR			USED AS DW PANEL; SHORTEN TOP RAIL TO ALIGN DRAWERS	23 3/4 "	30 1/4 "	1 "	
08	1	4DB23	R		FLSHEND R; OMIT RAILS 2-4; FRAME DRAWERS 2,3,4 ; 4 AS A DOOR; COMBINE W/ #9	23 "	34 1/2 "	24 "	
09	1	B23		L	2 NSFO; XSB-3L; COMBINE W/ #8	23 "	34 1/2 "	24 "	
10	1	XW59-60	R	LRL	XSW-3 L, FLSHENDW R; REL-STILE; ADD-RAIL; EXTTR-2"; SEE DRAWING	59 "	60 "	13 "	
11	1	BC-XXW69-70.125	L	R L R BL	INCHW-60; REL-STILE; ADD RAIL; XSW-3 R, EXTTR-2"; FLSHENDW L; SEE DRAWING	69 "	70 1/8 "	13 "	
12	1	XBRT51114-24	L	LLR	3 DOORS; ADD-PART; ICHT TO 114"; EXTSBCK L TO 26-1/2"; FLSHENDT LEFT, EXTTR 2"; NO BACK AT OPENING; OPENING 48 X 84-1/8" W 6" FLUSH FINISH RETURNS SIDES AND TOP OF OPENING; 4 - REV-A-SHELF 597-12-CR LEFT SECTION	51 "	114 "	24 "	
13	1	BT19 1/2114-24D	R	R	ICHT-114"; EXTTR-2"; EXTSBCK TO 26-1/2"; REL_RAIL; FLSHENDT R; R HAFELE 546.62.913 PANTRY PO; 545.84.280 EXTENSION; 546.76.220 STABILIZER; 4 SETS 546.63.534; 4 RAS 597-12-CRS IN TOP	19 1/2 "	114 "	24 "	
14	1	FPT 25.125	R		OPENING 22-1/8 W X 15 9/16; NO BACK AT TOP; FLSHEND R; 4-1/2" DIVIDER-PARALLEL TO FACE SET BACK 4"; USE 4-1/4" DRAWER BOX; NSFO ABOVE DRAWER BOX	25 1/8 "	34 1/2 "	24 "	
15	1	B17 1/4			FLSHEND-L; 2 NSFO; XSB3 R	17 1/4 "	34 1/2 "	24 "	
16	1	4DB23-21	R		DECDB-21"; FRAMENDB-R; XSB-3 L; OMIT INTERMEDIATE RAILS LOWER DRAWERS	23 "	34 1/2 "	21 "	
17	1	XXW65-60		LR LR	INCHW-60; REL-STILE; ADD-RAIL; XSW3 L & R; EXTTR-2"; SEE DRAWING	65 "	60 "	13 "	
18	1	W22-60	R	L	INCHW-60; ADD-RAIL; XSW-3 L; EXTTR-2"; FRAMEND R; SEE DRAWING	22 "	60 "	13 "	
19	1	HOOD APRON				55 1/4 "	8 3/8 "	24 "	
20	1	40 FT.-SSLE 3/4-03 OGEE				5 7/16 "	1/8 "	8 7/16 "	
21	1	6 PCS KL-358 CROWN				8 7/16 "	1/8 "	5 7/16 "	
22	1	40 FT. SSLE 1/2- 2" BEADED				8 7/16 "	1/8 "	5 7/16 "	
23	1	1-8FT SHOE				8 7/16 "	1/8 "	5 7/16 "	
24	1	32 FT TOE @5"				8 7/16 "	1/8 "	5 7/16 "	
25	1	8FT SCRIBE LG				8 7/16 "	1/8 "	5 7/16 "	
26	1	TUKIT				8 7/16 "	1/8 "	5 7/16 "	

ISLAND CABINET SCHEDULE - ZEPNICK- MTR KNOTTY ALDER -CRP-10 G COVE - KNOTTY ALDER; TOFFEE W BLACK GLAZE; LVL3 DISTRESSING W/RUB THROUGH									
NUMBER	QTY	LABEL	SIDES	HINGED	MODS	WIDTH	HEIGHT	DEPTH	
I-01	1	5BDD18	R	R	FRAMEND R; ADDTOE R; XSB3_L; REV-A-SHELF TRASH ON DOOR; UNDERSINK MAT; COMBINE W/ #2	18 "	34 1/2 "	24 "	
I-02	1	4DB19 1/2	L		FLSHEND L; NO INTERMEDIATE RAILS; COMBINE W/ #1	19 1/2 "	34 1/2 "	24 "	
I-03	1	3DB30-21	R		DECDB-TO 21"; FRAMENDB-R; ADDTOE R; ADJUSTABLE DIVIDERS BOTTOM DRAWER 4-1/4" H; COMBINE W/ #4	30 "	34 1/2 "	21 "	
I-04	1	B16 1/2	R	R	FLSHENDB-R; 2- NSFO; COMBINE W/ #3	16 1/2 "	34 1/2 "	24 "	
I-05	1	PEDESTAL W/BRACKETS				44 3/16 "	33 3/4 "	33 5/8 "	
I-06	1	4-VTKB 1015 ATTACHED				8 7/16 "	1/8 "	5 7/16 "	
I-07	1	16FT-WAPRN-2.25"				8 7/16 "	1/8 "	5 7/16 "	
I-08	1	2PC-BEADED 381-08-4-1/2"				8 7/16 "	1/8 "	5 7/16 "	
I-09	1	16 FT TOE @ 5"				8 7/16 "	1/8 "	5 7/16 "	
I-10	1	2- FS 2712				8 7/16 "	1/8 "	5 7/16 "	
I-11	1	TUKIT				8 7/16 "	1/8 "	5 7/16 "	
I-12	1	2- #31 OUTLET COVERS				8 7/16 "	1/8 "	5 7/16 "	

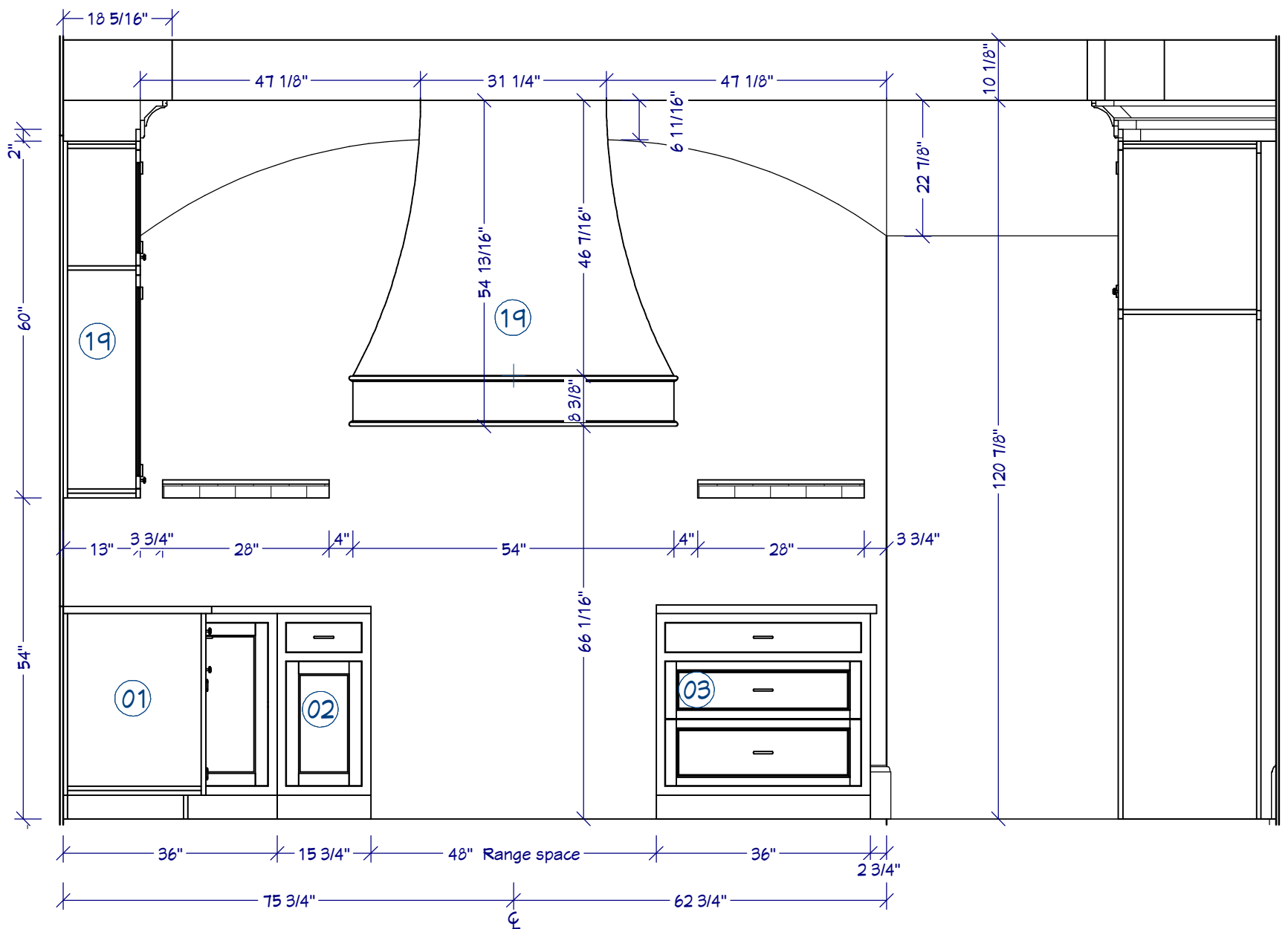
## Cabinet Schedules



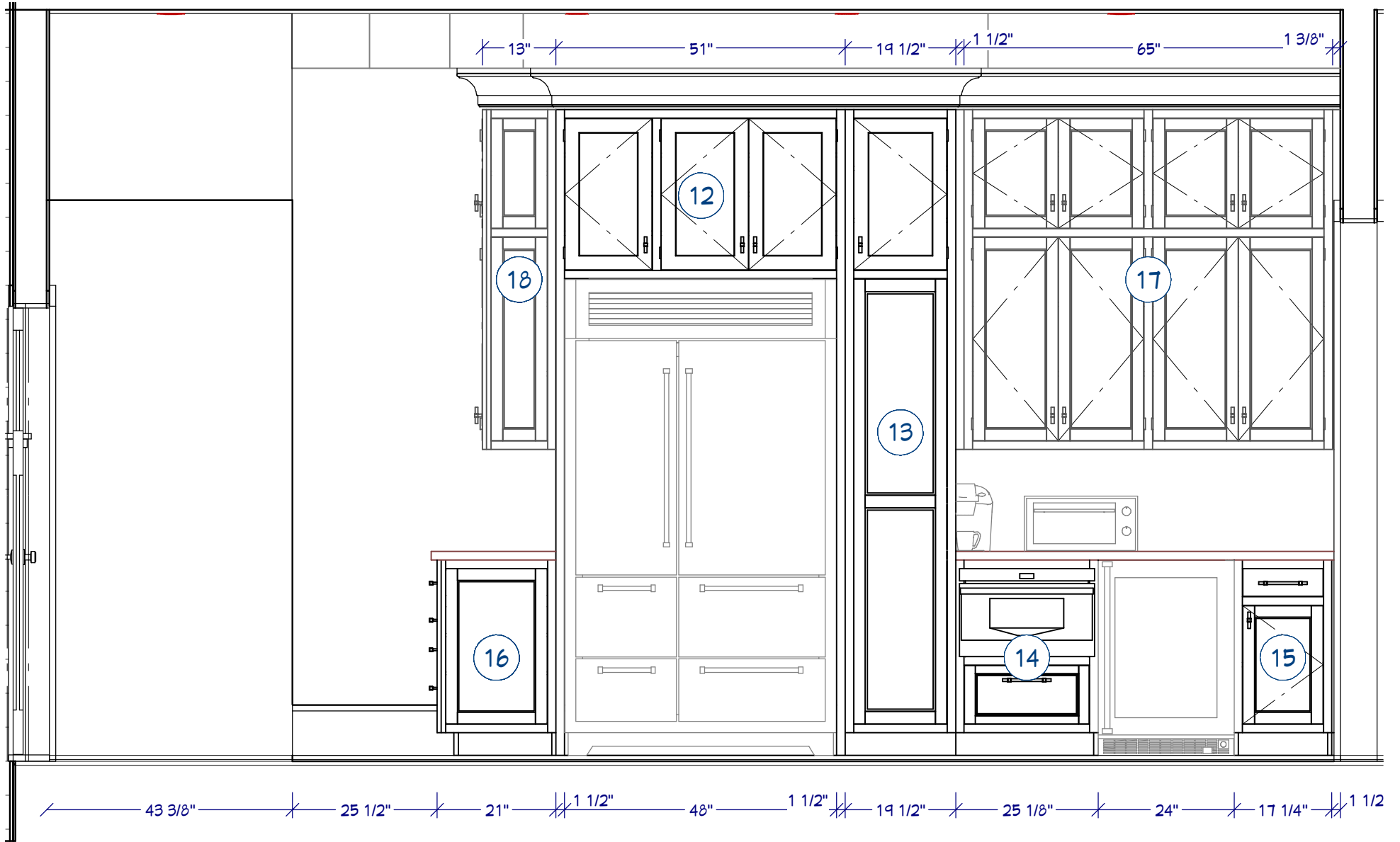




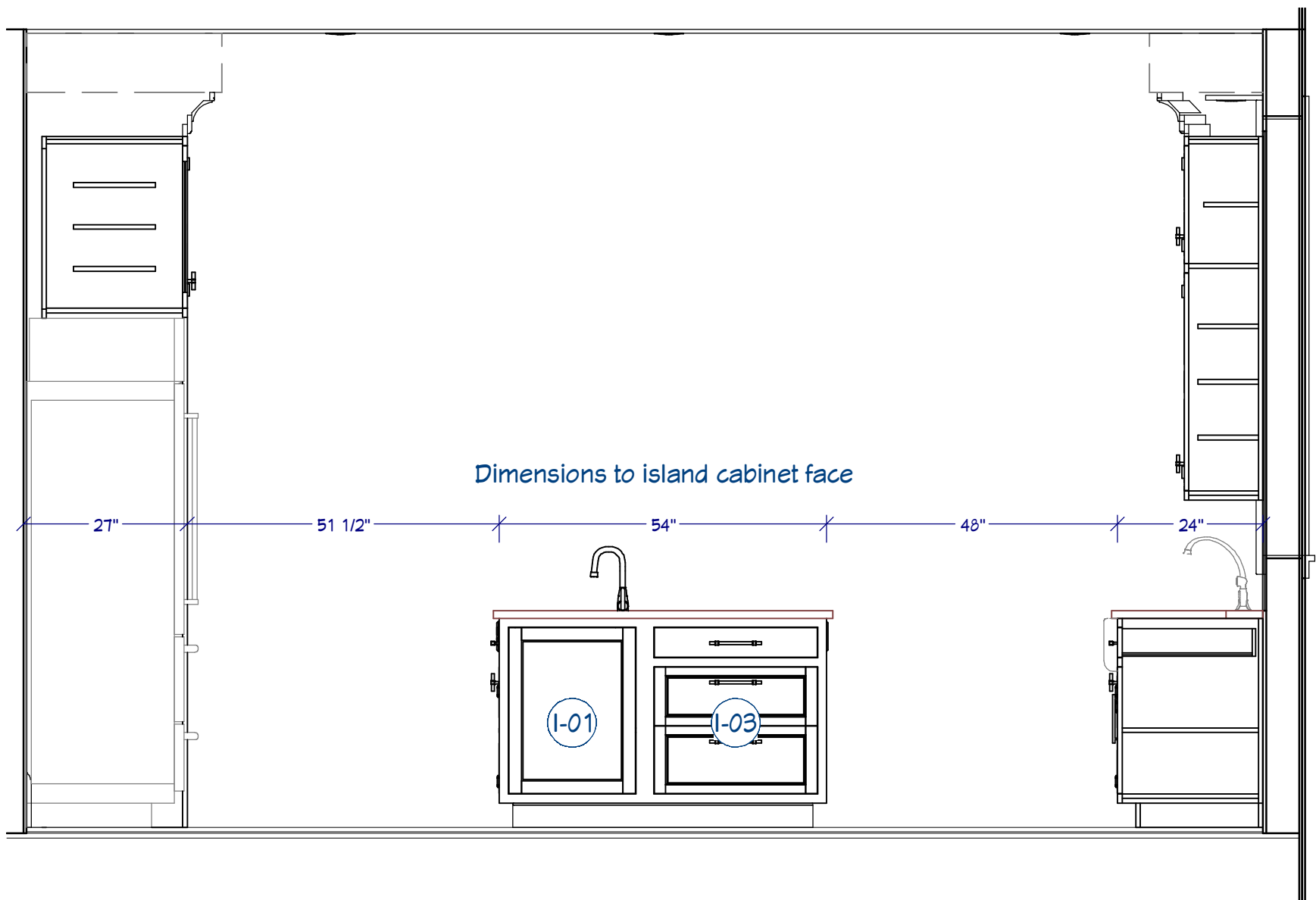
Elevation 1



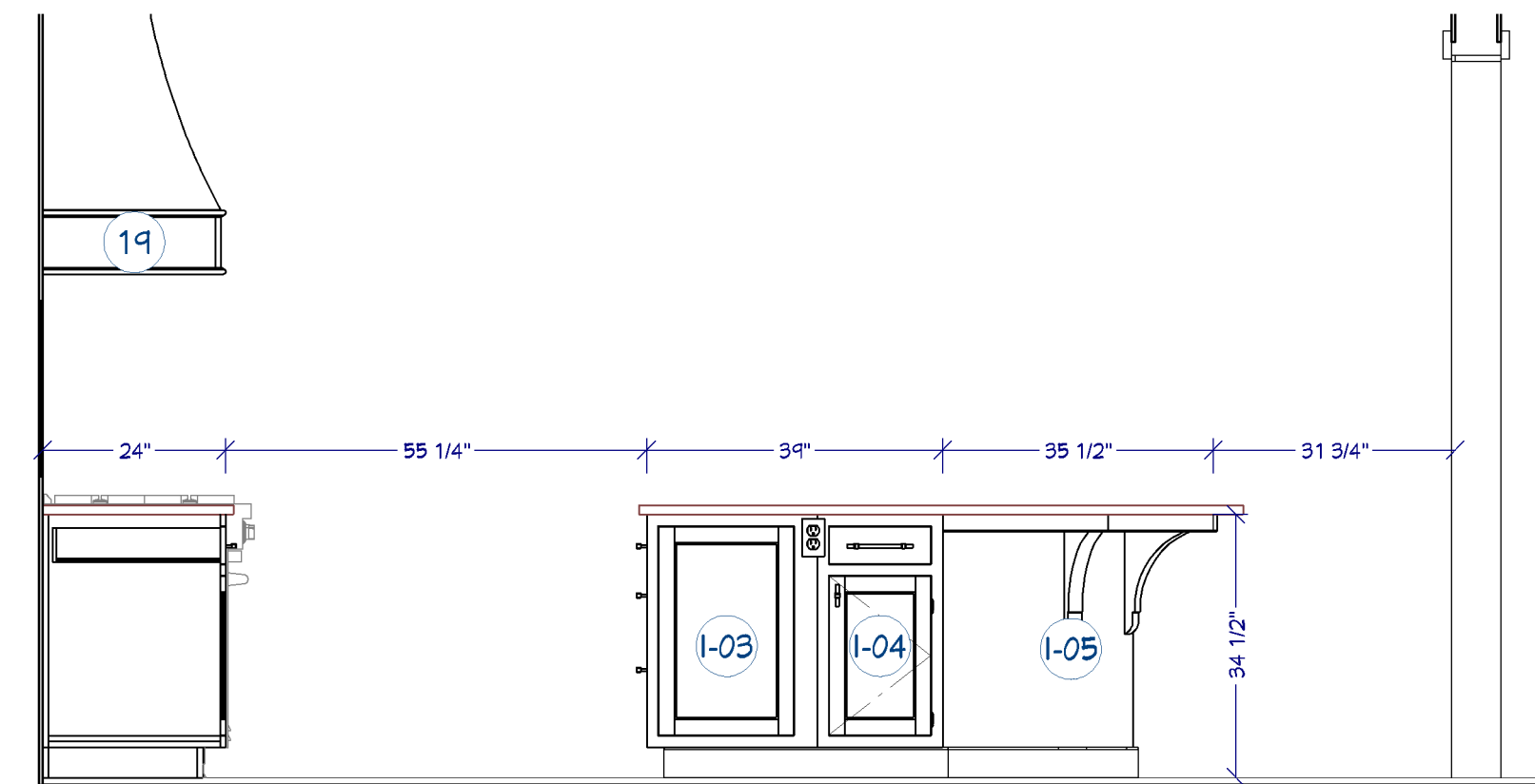
E 2-Range wall detail



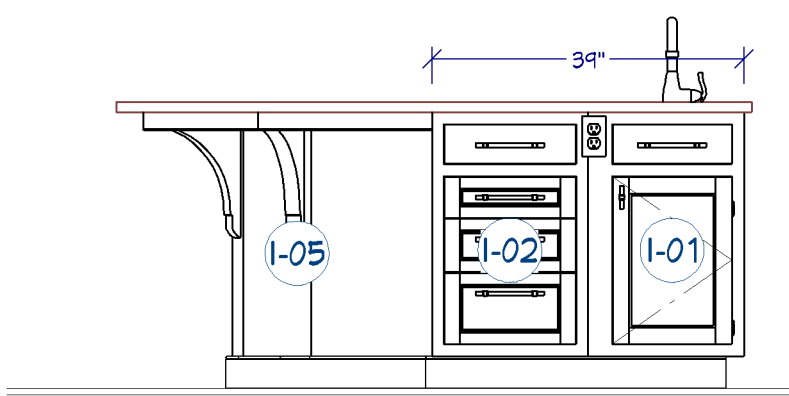
Fridge Wall E3



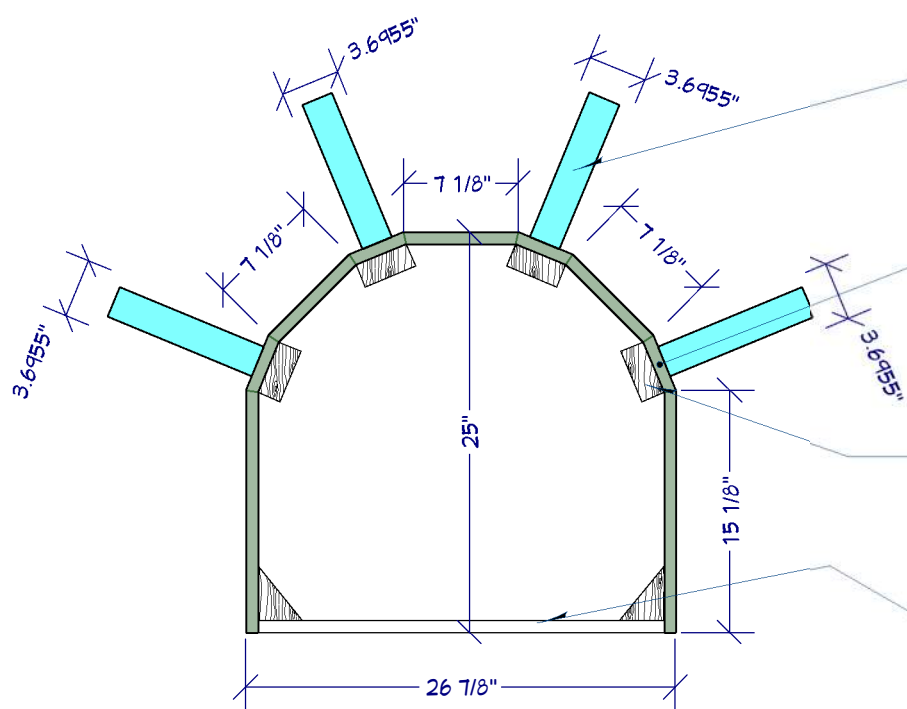
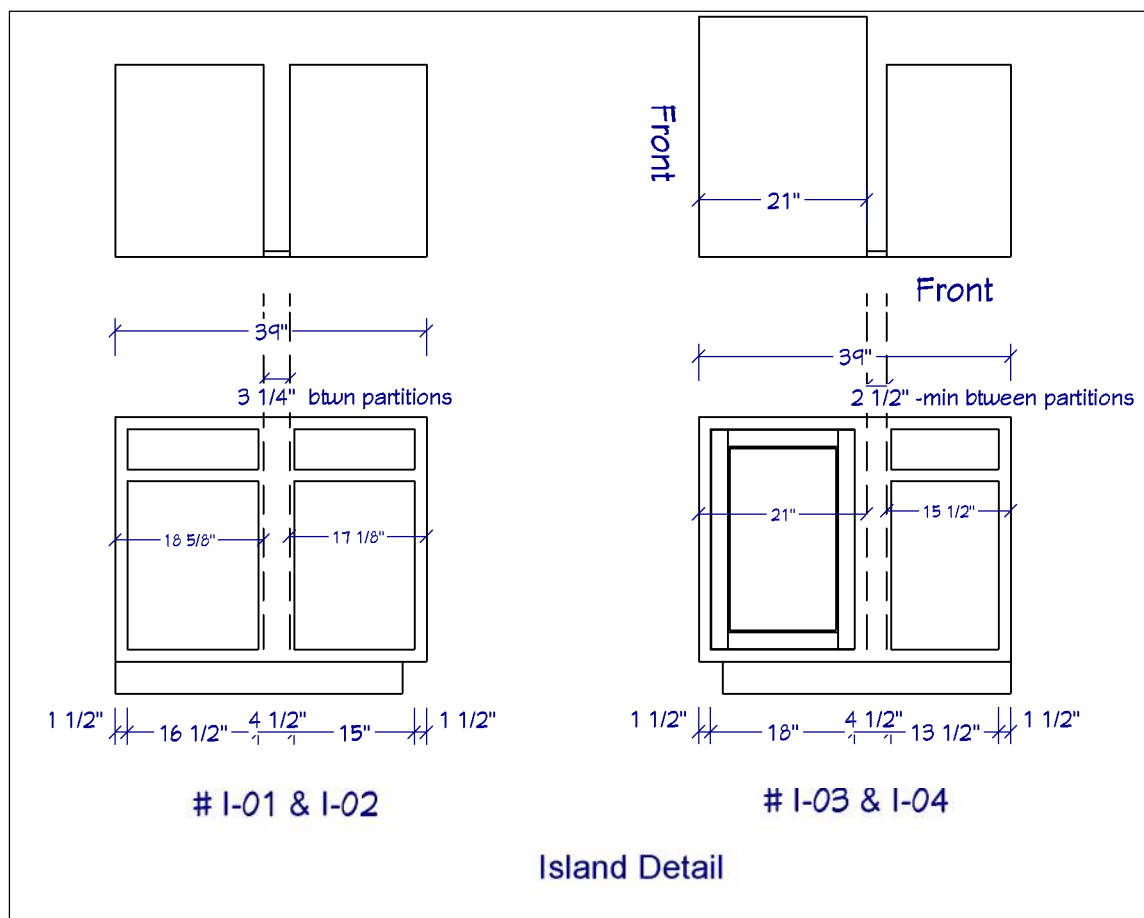
Island Front E4



Island Sink Side E5



Island Fridge Side E6



Pedestal Plan View  
1 in = 1 ft  
make 34-1/2" high

VTKB1015  
4 total-attached

3/4" ply panels mitered & joined  
four @ 3.7"; three @ 7-1/8";  
2 @ 15-1/8 -all at 33-3/4" high

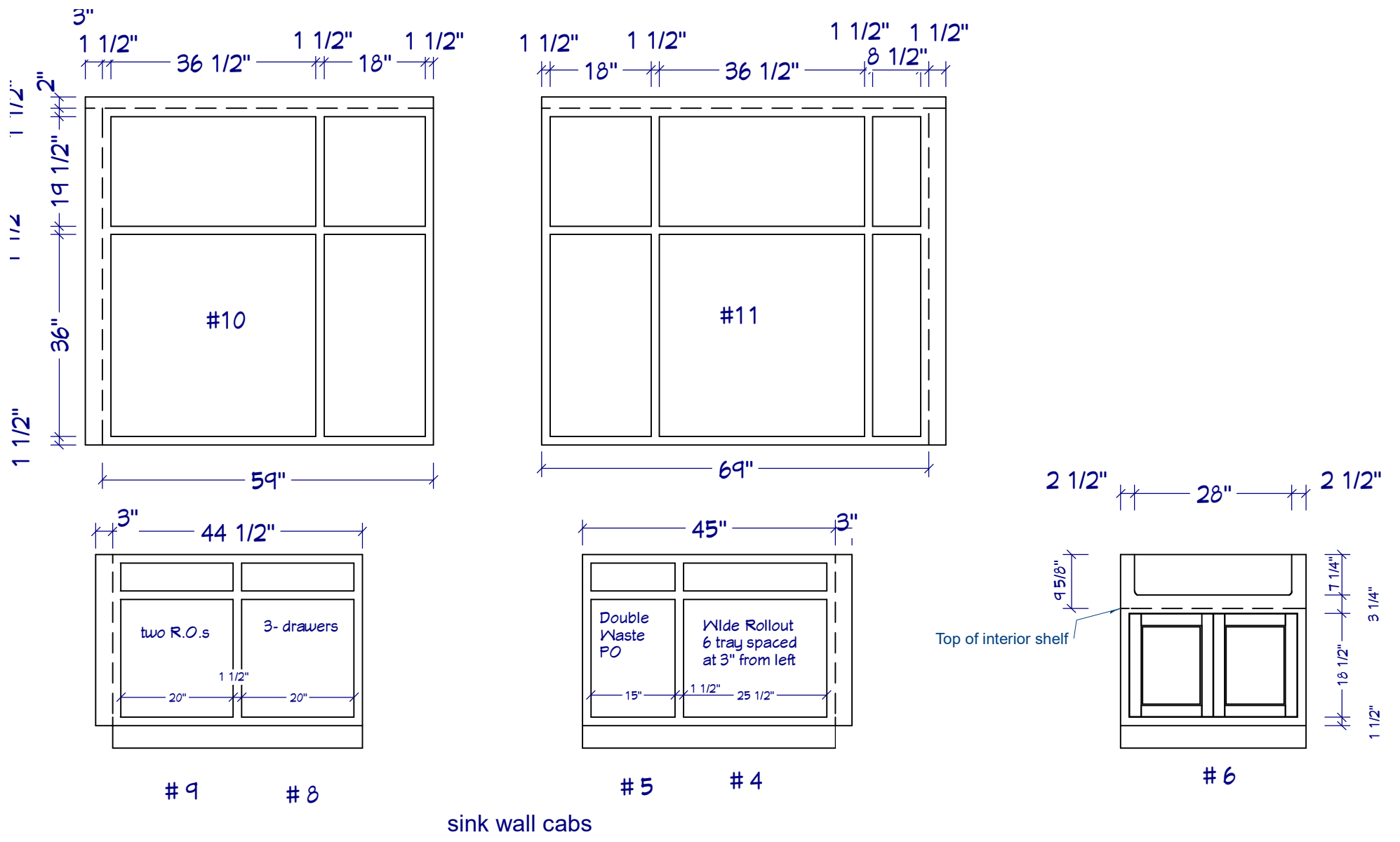
Blocking as Mountaineer see fit  
(discussed 2 x 4 spf with Ty?)

Rail or stretcher -as Mountaineer sees fit  
One at top, one at bottom

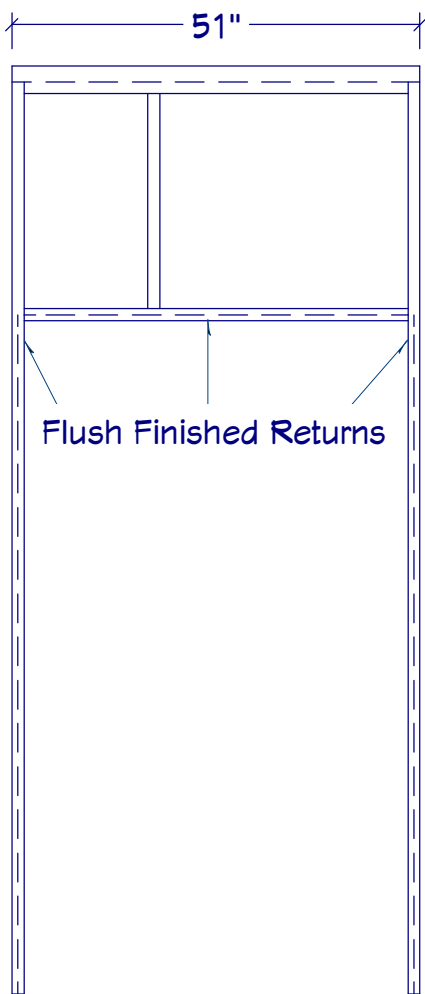
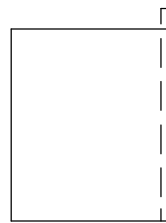
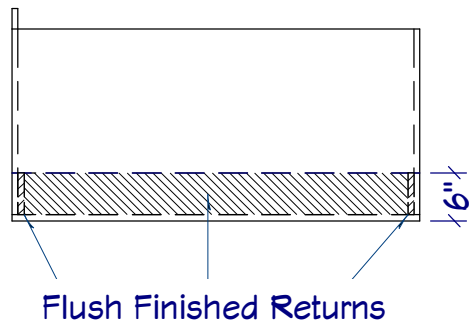








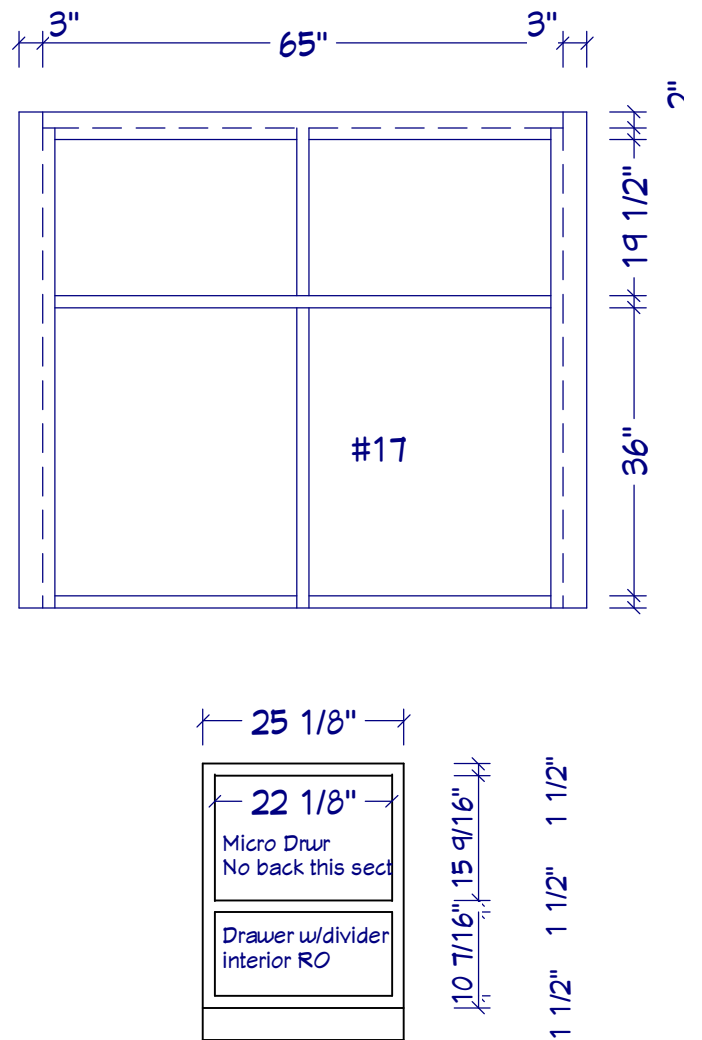
sink wall cabs



#12

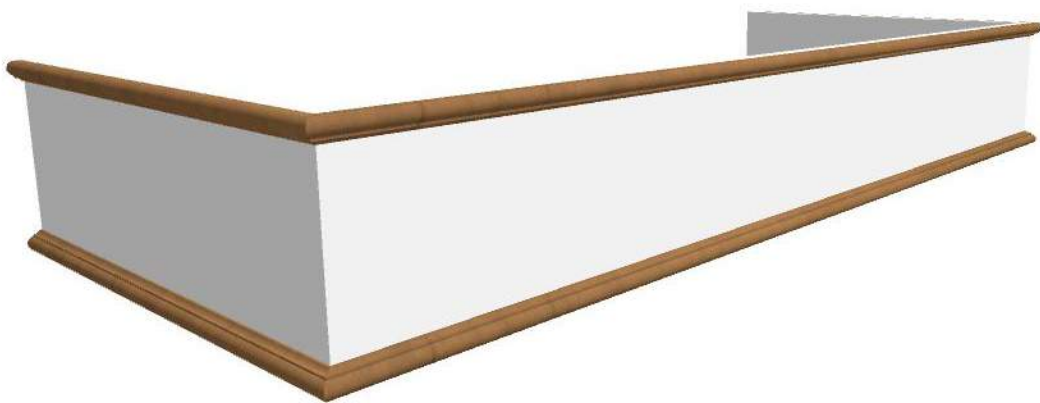
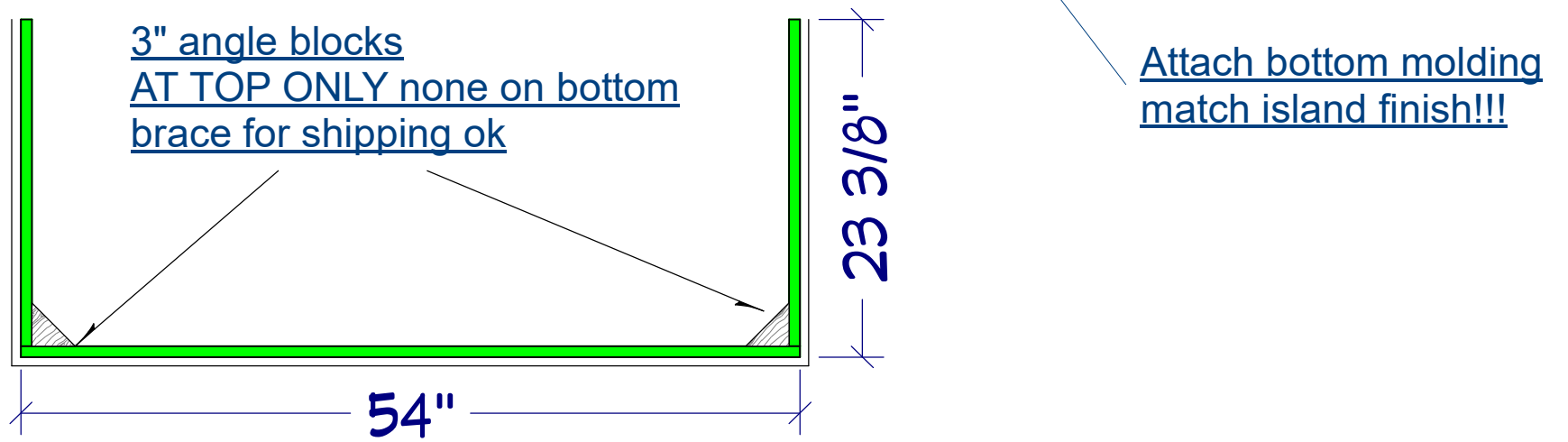
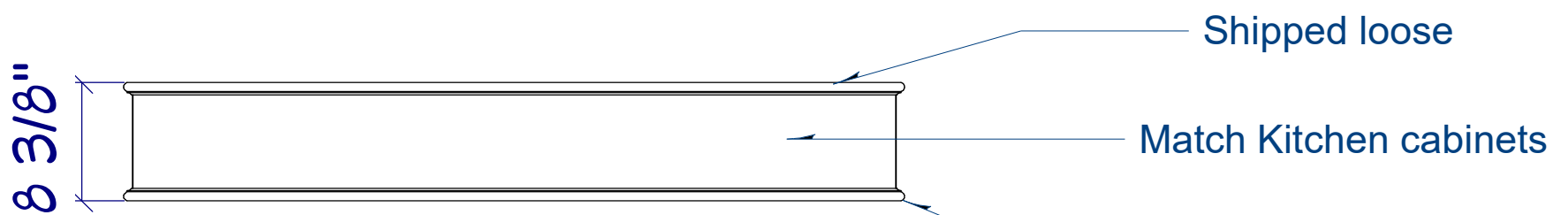
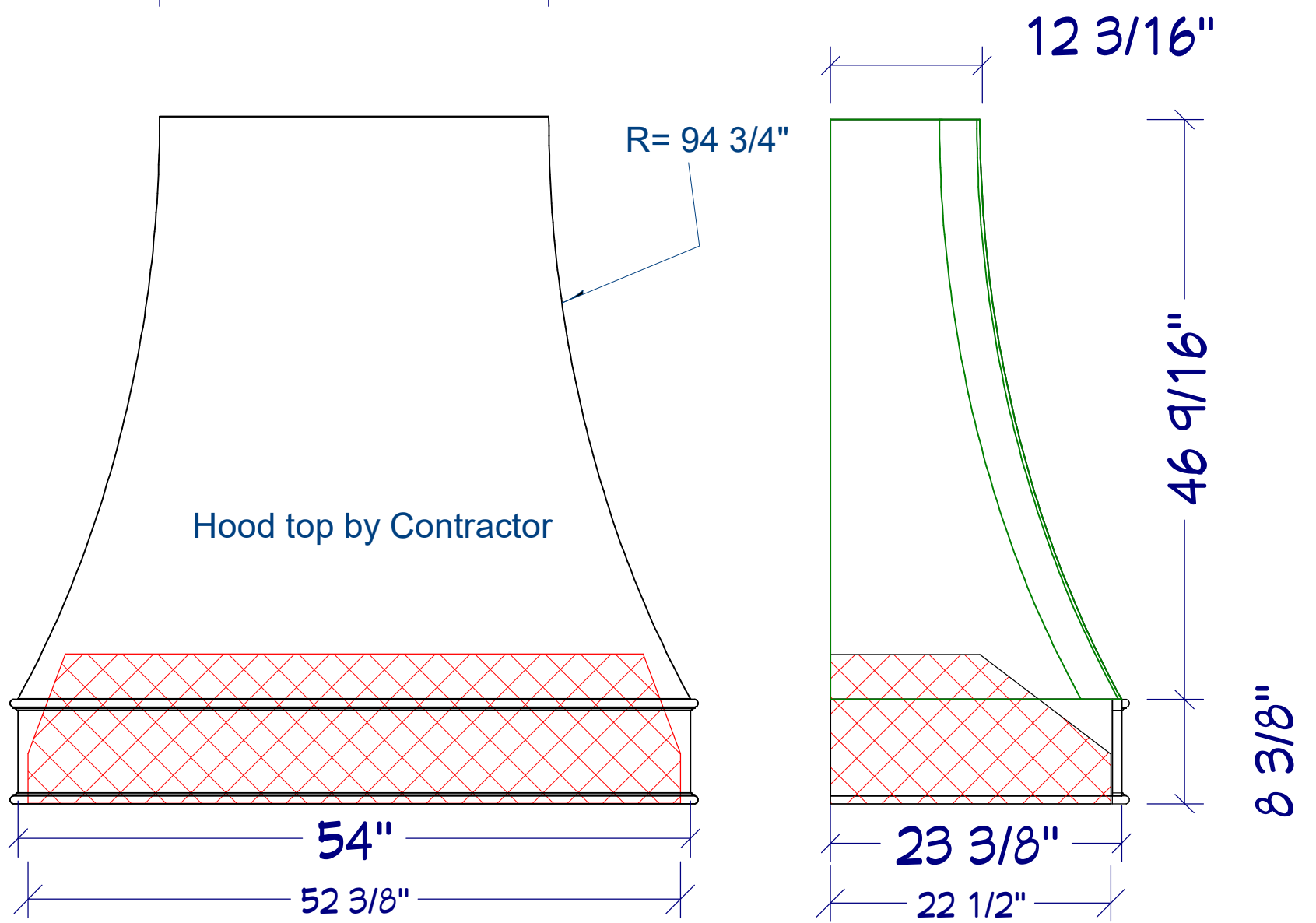


#13

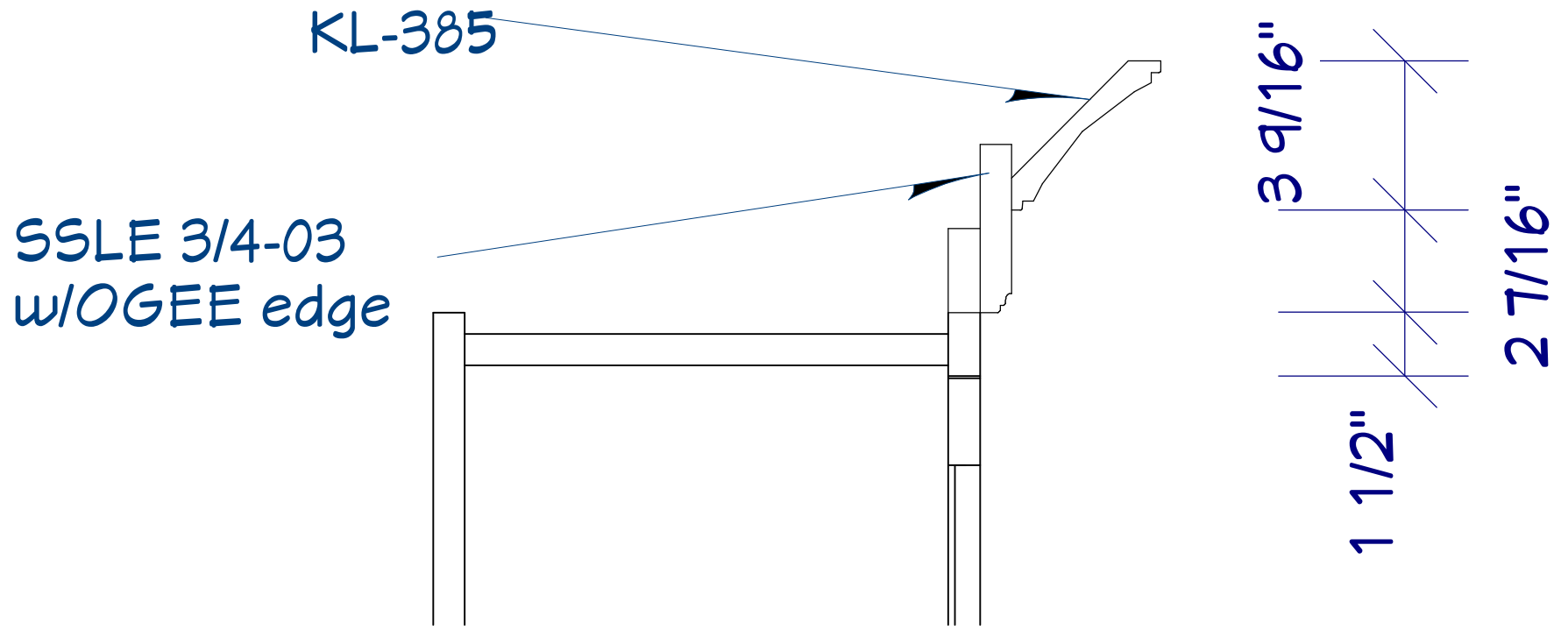


#14

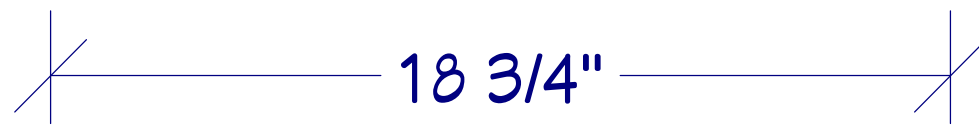
Fridge wall details



Hood Details and insert



Mud Room Molding



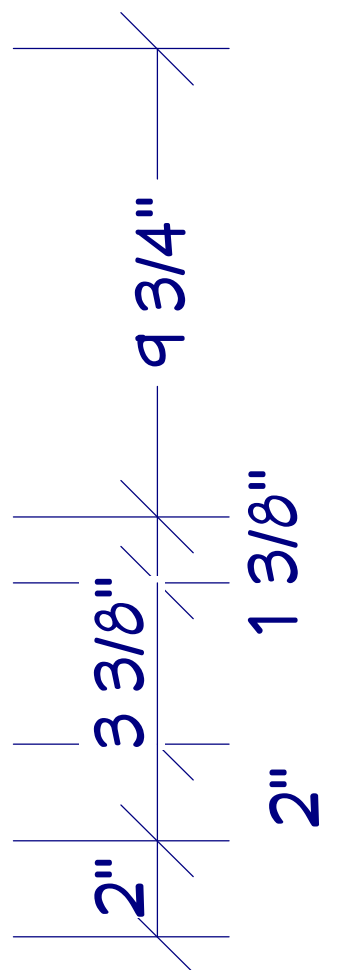
SSLE 1/2- x 2"  
w/ Bead

Soffet

1 1/4"

KL-385

SSLE 3/4-03  
w/OGEE edge



Kitchen Molding